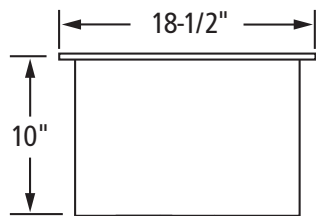
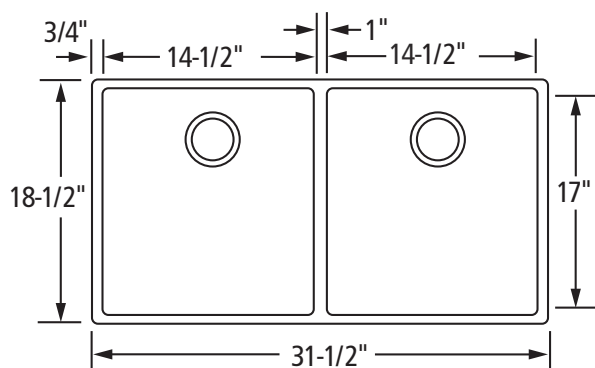
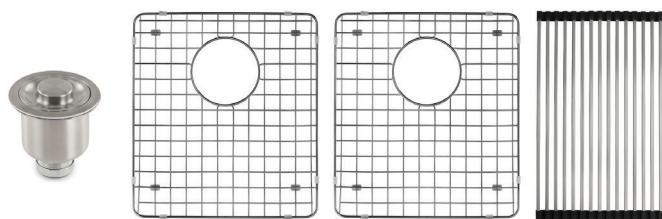


# FRIGIDAIRE®

## FPDP3219-D1010

16 Gauge 304 Stainless Steel  
Double Bowl Undermount Sink



Side View

### Dimensions

- Overall Size: 31-1/2" x 18-1/2"
- Bowls: 14-1/2" x 17" x 10"
- Drain Opening: 3-1/2"

### Included Accessories

- Grids
- Sink strainers
- Roll mat

### Features

- Handmade
- 10 MM radius corners
- 16 gauge 304 stainless steel
- Proprietary V-Therm Shield™  
— Provides superior sound deadening and thermal retention
- Long lasting, tight brush finish
- Stain and corrosion resistant

### Lifetime Warranty

Complies with ASME A112.19.3-2000

All sinks are handmade. Prior to cutting, verify with included template.